

**TU**

**ACCESSORY**



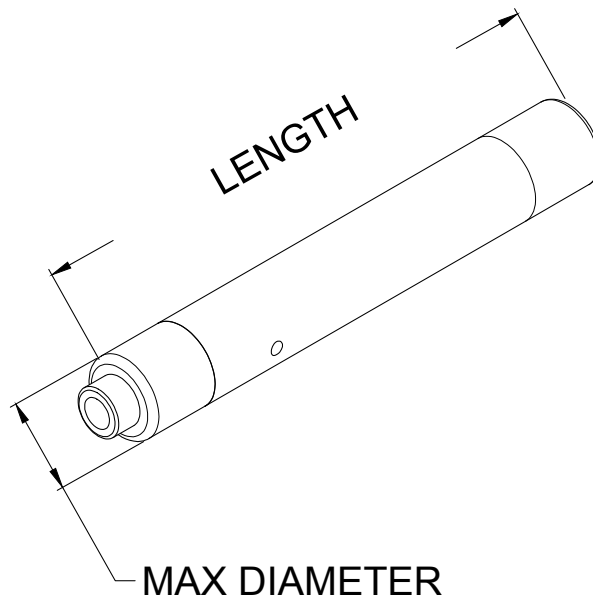
**EXTENDED REACTION TUBE**

TU Series Square Drive  
Hydraulic Torque Wrench Accessory

**torquui**<sup>TM</sup>

## TU Series Square Drive Hydraulic Torque Wrench - Extended Reaction Tube

MODEL #	PART #	MAX DIAMETER (IN/MM)	LENGTH (IN/MM)
TU-2	ATU-2-03-ERT	2.00/50	17.99/456
TU-3	ATU-3-03-ERT	2.62/66	23.00/584
TU-5	ATU-5-03-ERT	3.00/76	20.00/508
TU-7	ATU-7-03-ERT	3.50/88	22.00/558
TU-11	ATU-11-03-ERT	3.75/95	24.00/609
TU-20	ATU-20-03-ERT	4.00/101	18.00/457
TU-27	ATU-27-03-ERT	5.00/127	15.00/381
TU-60	N/A	N/A	N/A



### TU Series - Extended Reaction Tube

Attach this reaction tube in place of the standard reaction arm when your reaction point is located further from the nut.

