

RP
VT

ACCESSORY

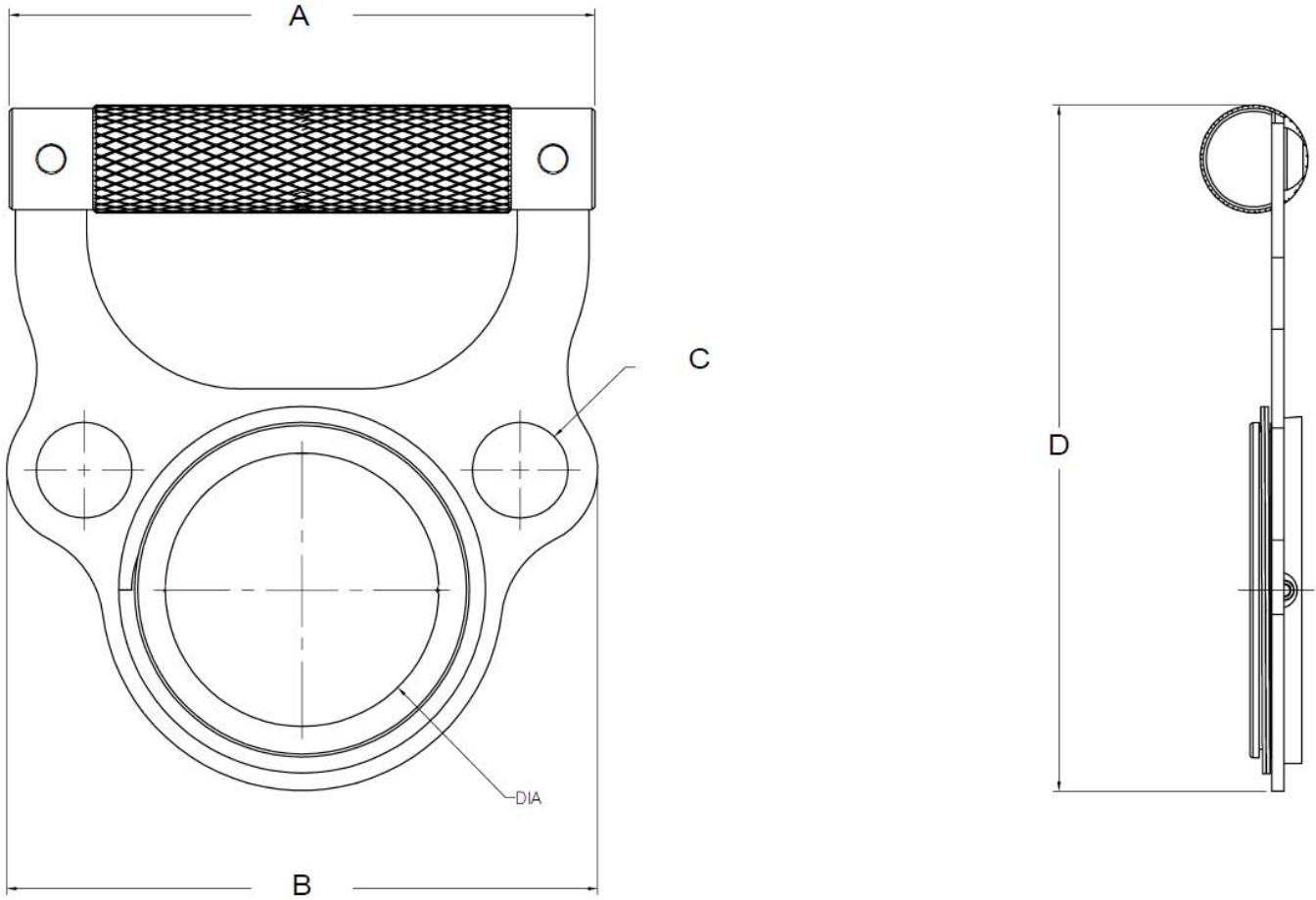


MULTI POSITION TOOL HANDLE

RP RAPTOR Series, VT VOLTA Series
Pneumatic Torque Wrench Accessory
Battery Torque Wrench Accessory

LIP
torcui

MODEL NUMBER	PART NUMBER	A (IN/MM)	B (IN/MM)	C (IN/MM)	D (IN/MM)
RP/VT-500	RPA-TCH-05-DH	6.13/155.6	6.18/157.0	1.00/25.4	7.17/182.1
RP/VT-1000, 1000-1 1000E6 & 3000	RPA-TCH-10.30-DH	6.13/155.6	6.18/157.0	1.00/25.4	7.17/182.1
RP/VT-2000	RPA-TCH-20-DH	6.13/155.6	6.18/157.0	1.00/25.4	7.17/182.1



RP/VT-500, 1000, 1000-1, 1000E6 and 2000 can be field installed.
 RP/VT-3000 requires factory installation.

