

**RP**

**ACCESSORY**



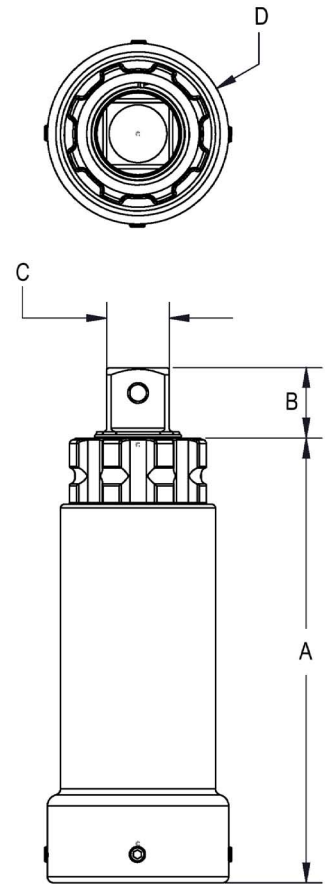
**NOSE EXTENSION**

RP Raptor Series  
Pneumatic Torque Wrench Accessory

**UP**<sup>TM</sup>  
*torcui*

## RP Raptor Series Pneumatic Torque Wrench - Nose Extension

MODEL NUMBER	PART NUMBER	A	B	C	D
RP-500	RPA-05.10-NE6 (in)	6.80	0.93	0.75	2.24
	RPA-05.10-NE6 (mm)	173	24	19	57
	RPA-05.10-NE12 (in)	12.80	0.93	0.75	2.24
	RPA-05.10-NE12 (mm)	325	24	19	57
	RPA-05.10-NE18 (in)	18.80	0.93	0.75	2.24
	RPA-05.10-NE18 (mm)	478	24	19	57
RP-1000 (3/4" Drive)	RPA-05.10-NE6 (in)	6.80	0.93	0.75	2.24
	RPA-05.10-NE6 (mm)	173	24	19	57
	RPA-05.10-NE12 (in)	12.80	0.93	0.75	2.24
	RPA-05.10-NE12 (mm)	325	24	19	57
	RPA-05.10-NE18 (in)	18.80	0.93	0.75	2.24
	RPA-05.10-NE18 (mm)	478	24	19	57
RP-1000 (1" Drive)	RPA-20.30-NE6 (in)	7.05	1.08	1.00	2.87
	RPA-20.30-NE6 (mm)	179	27	25	73
	RPA-20.30-NE12 (in)	13.05	1.08	1.00	2.87
	RPA-20.30-NE12 (mm)	331	27	25	73
	RPA-20.30-NE18 (in)	19.05	1.08	1.00	2.87
	RPA-20.30-NE18 (mm)	484	27	25	73
RP-2000	RPA-20.30-NE6 (in)	7.05	1.08	1.00	2.87
	RPA-20.30-NE6 (mm)	179	27	25	73
	RPA-20.30-NE12 (in)	13.05	1.08	1.00	2.87
	RPA-20.30-NE12 (mm)	331	27	25	73
	RPA-20.30-NE18 (in)	19.05	1.08	1.00	2.87
	RPA-20.30-NE18 (mm)	484	27	25	73
RP-3000	RPA-20.30-NE6 (in)	7.05	1.08	1.00	2.87
	RPA-20.30-NE6 (mm)	179	27	25	73
	RPA-20.30-NE12 (in)	13.05	1.08	1.00	2.87
	RPA-20.30-NE12 (mm)	331	27	25	73
	RPA-20.30-NE18 (in)	19.05	1.08	1.00	2.87
	RPA-20.30-NE18 (mm)	484	27	25	73
RP-6000	RPA-60-NE6 (in)	7.50	1.62	1.50	4.00
	RPA-60-NE6 (mm)	191	41	38	102
	RPA-60-NE12 (in)	13.50	1.62	1.50	4.00
	RPA-60-NE12 (mm)	343	41	38	102
	RPA-60-NE18 (in)	N/A	N/A	N/A	N/A
	RPA-60-NE18 (mm)	N/A	N/A	N/A	N/A



### RP Raptor Series - Nose Extension

The extension fastens directly to the nose of the Raptor, allowing the tool to reach hard to access applications.

This works with the standard reaction arm.

Available in 6 inch, 12 inch and 18 inch slip on extensions.

